



MedTek IIT Series

# 7076-TT & 7276-TT



## MedTek ITT Models 7076-TT and 7276-TT

Universal's MedTek ITT integrated table/tubestands were designed for today's cost and performance conscious global practitioners. The compact design, along with the integration of the table and tubestand, eliminates the need for costly room modifications. The robust construction will provide many years of reliable performance in the clinic, group or private practice settings. Universal...a name trusted for over 70 years.

To accommodate varying needs and budgets, the MedTek is available in a stationary top or unique two-way float top version that requires a minimal amount of space—yet delivers convenience in patient positioning and operator use.

### Standard Features

#### 7076-TT MedTek ITT

- Heavy duty welded table base
- Seamless 28" (71 cm) wide by 76" (193 cm) long stationary table top (model 7076-TT) comfortably accommodates most patients
- Tubestand floats along back rail of table to accommodate varying anatomical areas of interest
- Electro magnetic locks combined with stainless steel bearings provide effortless vertical and horizontal tubestand movement
- Convenient handle bar grip and lock release eases operator positioning
- Tube rotation enables precision alignment of the tube for non-angled, angled and upright views
- Convenient angulation display
- 17" x 17" (43 cm x 43 cm) grid cabinet with 103 line, 8:1 fine line grid for superior film quality
- Grid cabinet travels within table frame and locks in desired position
- Manual cassette tray accepts 14" x 17" (35 cm x 43 cm) and smaller film sizes, both inch and metric

### Added Features

#### 7276-TT MedTek ITT Plus

- The MedTek ITT Plus incorporates the features of the 7076-TT...but includes a two-way float top table with the following features:
  - 8" (20 cm) of cross table travel, 4" (10 cm) back and forward from center point of table top
  - Positive detent to return table top to center position
  - Recessed foot treadle to control release of electro magnetic table top locks
  - Foot treadle can swing out to allow operator to activate locks from foot end of table and for ease of cleaning under table

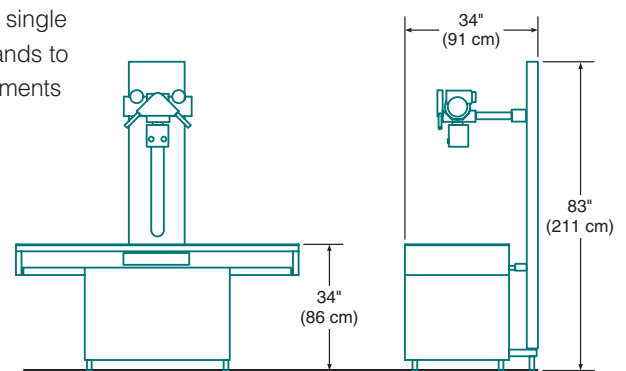
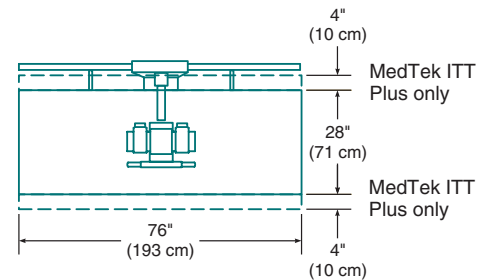
Complies with all CDRH performance standards in effect at the date of manufacture.

Made in U.S.A. – UL-Listed

As we strive for constant improvement, specifications are subject to change without notice.

### Options For 7076-TT & 7276-TT

- Choice of high frequency and single phase generators and wall stands to meet specific imaging requirements
- 10:1 or 12:1 ratio grid
- 17"x 17" (43 cm x 43 cm) reciprocating bucky
- Ion chamber to accept AEC capability of generator



MedTek ITT & MedTek ITT Plus



[www.universalxray.net](http://www.universalxray.net)



Medical  
Imaging  
Corporation

11550 West King Street ■ Franklin Park, IL 60131 ■ Phone 847.288.7000 ■ Fax 847.288.7911 ■ Toll Free 800.800.6006

