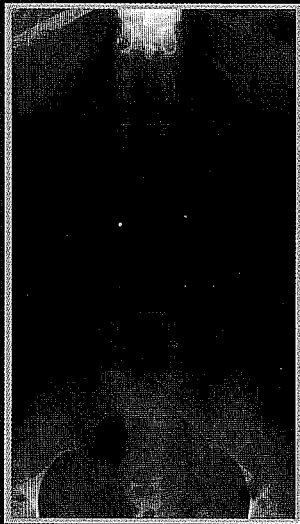


ALPHATEK SE Series



Automatic
X-Ray Film Processors



ALPHATEK SE Series

ABOUT ALPHATEK

Alphatek has been manufacturing x-ray film processors for over 25 years. The company's mission is the design and production of high quality processors for use in private practices and clinics the world over. Compliance to ISO 9000 standards ensures customers of Alphatek's commitment to excellence in manufacturing.

QUALITY AND RELIABILITY

The Alphatek tradition of high quality products and performance continues with the series of AX 300SE and AX 390SE x-ray film processors.

Built for reliable performance, the SE Series provides exceptional processing. An advanced product design integrates high quality components with durable construction, resulting in superior performance. Cast acrylic rollers, precision machined for detail, ensure consistent and uniform processing.

AX 300SE STANDARD FEATURES

Versatile and Cost-Effective

Ideal for clinics and private office settings, the AX 300SE can process up to sixty 14 x 17 films per hour, and is equally efficient in low volume applications. Film lengths to 51" or as small as 100mm are easily managed by the AX 300SE. This versatility makes the AX 300SE one of the most cost-effective systems available.

2 1/2 Minute Processor

High quality, beautifully-finished radiographs exit the AX 300SE just 2 1/2 minutes after films enter the processor, ensuring faster patient care.

Easy Maintenance

The modular design of the AX 300SE simplifies routine maintenance. The top and side panels lift off to expose the roller assemblies and tanks for easy cleaning.

SHARED FEATURES OF THE SE SERIES PROCESSORS

Compact Design

Developed expressly for rooms with limited space, the SE Series is extremely space-efficient. The compact design makes these processors ideal for small offices.

Digital Developer Display

Fail safe developer temperature control is accurately displayed and easily viewed. It is so easy to read that we use the display as your film feed indicator.

Smoothest Running Rollers

Our unique gear and roller bearing design results in the industry's smoothest running roller assemblies. This results in greater reliability and sharper images on your view box.

Warm Air Dryer

Time tested warm air film dryer delivers smooth crisp images even under heavy film loads.

Stainless Steel Construction

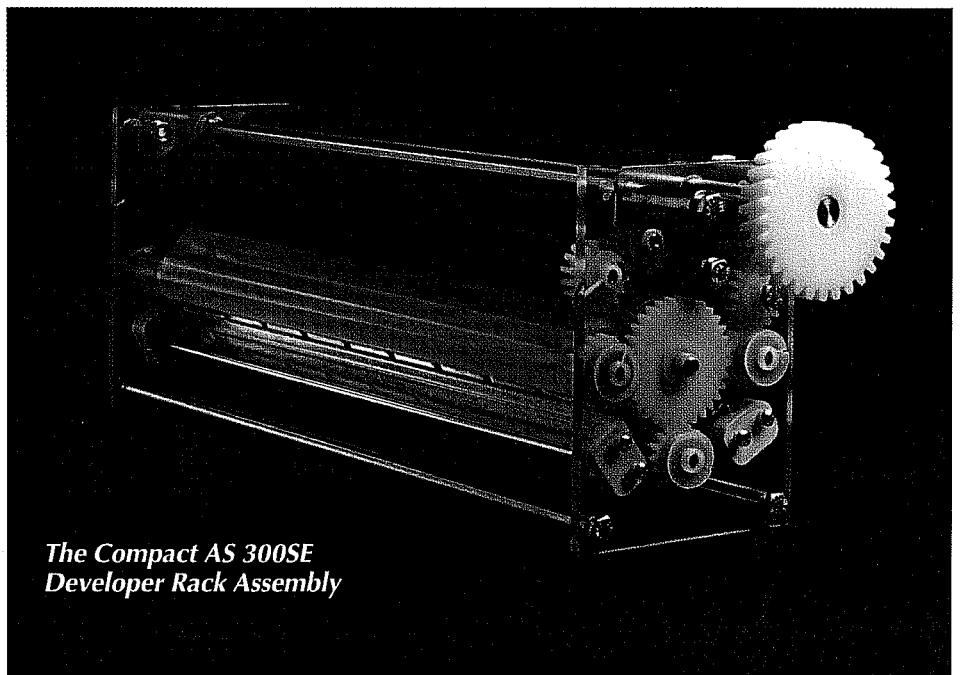
Like all Alphatek processors, under the high impact composite exterior, the SE Series is designed of the finest quality stainless steel for durability and mechanical strength.

Low Maintenance

The exclusive roller design of the SE Series simplifies maintenance. A rigid roller composition of acrylic repels foreign matter, making routine maintenance easy.

Accurate Developer Temperature Control

Developer temperature is accurately maintained within a QA window of $\pm .5 F$.



*The Compact AS 300SE
Developer Rack Assembly*

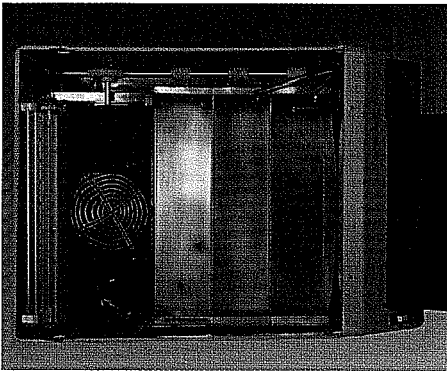
AX 390SE STANDARD FEATURES

90-Second Processing

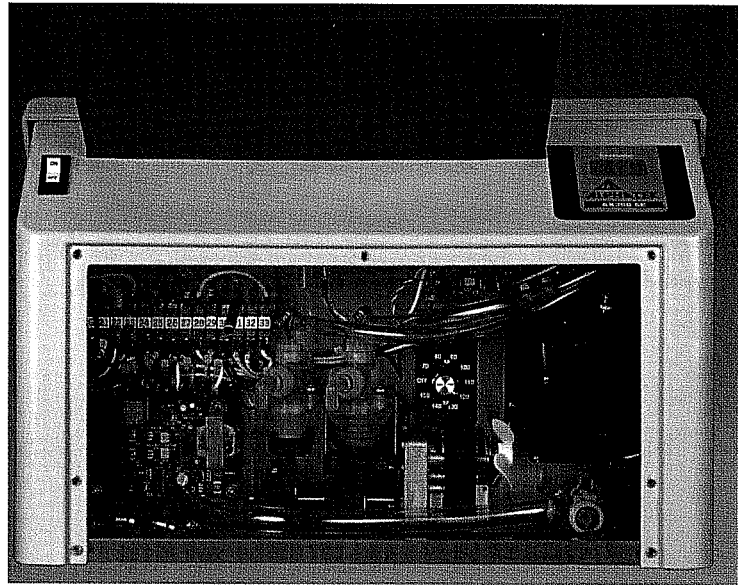
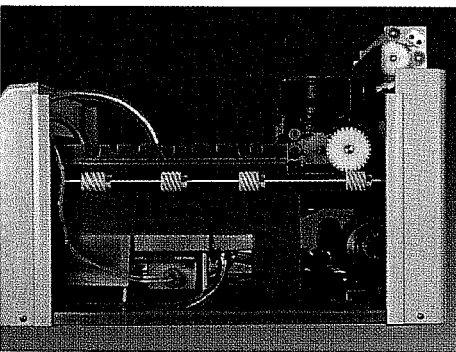
Full sized racks combined with deep tank design permit true 90-second processing without compromising image quality or requiring special film.

Substantial Capacity

- Designed with a high capacity dryer and deep processing tanks, the AX 390SE provides efficient processing for high volume facilities.



- Up to one hundred 14 x 17 films per hour
- An oversized drive motor ensures high performance and smooth operation.

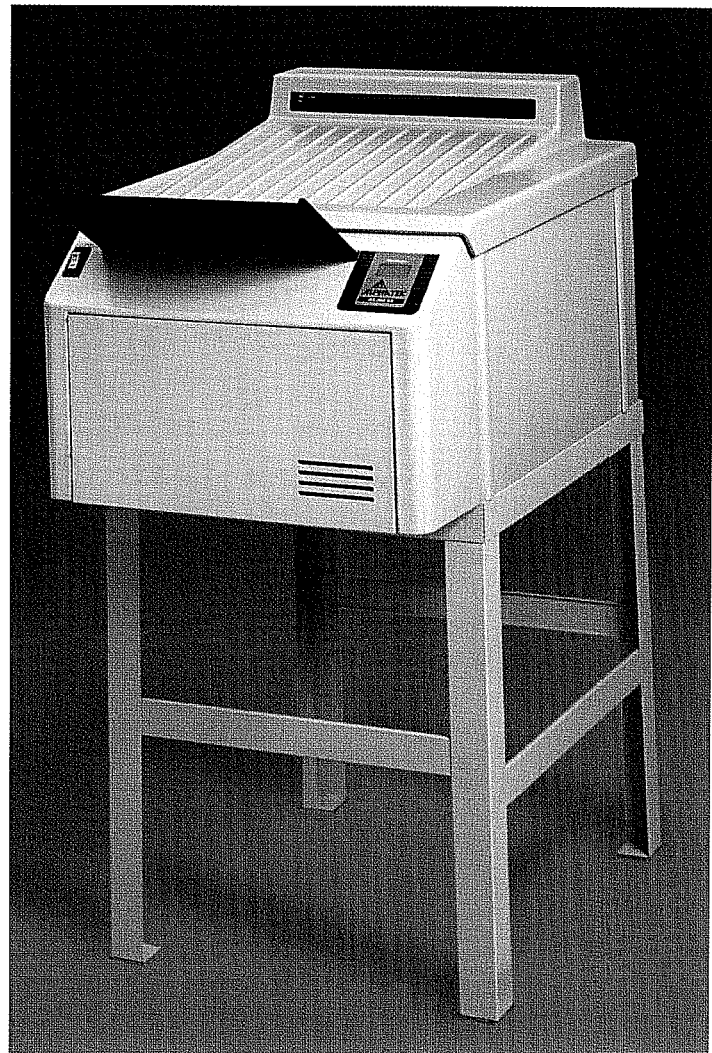


The SE's reliable replenishment pump and easy "up-front" service access ensure consistent chemical activity.

Compact and Contemporary

Environmentally Friendly SE Series Processors

- Energy saving automatic standby circuits - standard
- Cold water processing - hot water not required
- Reduced wash water flow valve: just 1/2 gal per minute
- Re-circulated dryer air conserves power
- Factory designed to accept silver recovery systems
- Unique air-cooled chassis design eliminates the need for water to stabilize developer temperature



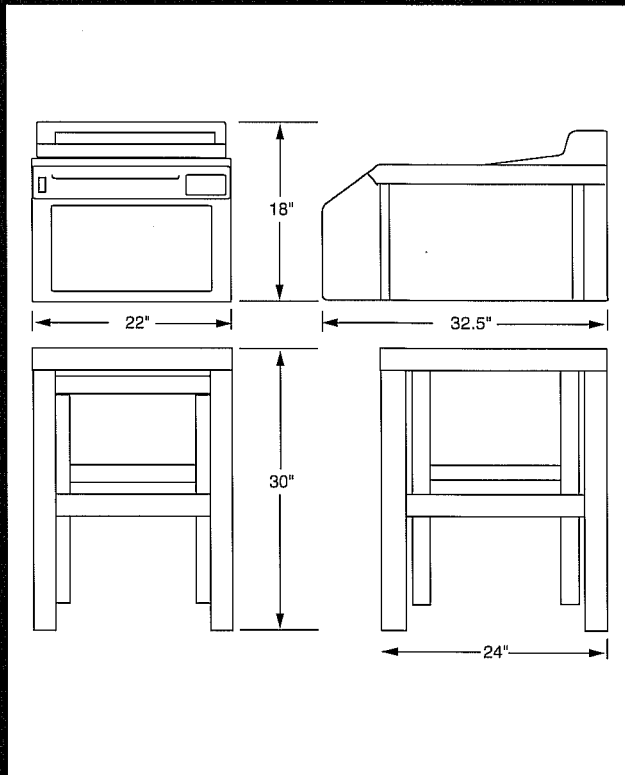
Alphatek SE Series film processor shown on optional base stand.

SPECIFICATIONS

AX 300SE

The SE Series products are reliable, cost-effective x-ray film processors that consistently produce high quality, beautifully-finished radiographs. The extraordinary value of the SE processors comes from the combination of over 25 years of technical improvements and now ISO 9000 manufacturing excellence.

Processing time	2-1/2 minutes (150 seconds) (leading edge transport time)
Processing Capacity	60 - 14x17 (35 x 43 cm) films per hour
Dimensions	Processor: height 18 in (45.7 cm) width 22 in (56 cm) length 32.5 in (82.5 cm) Base: height 30 in (76cm)
Water Consumption	1/2 gal (1.9 liters) per minute when processing film
Tank Capacities	developer 1.75 gal (6.6 liters) fixer 1.25 gal (4.7 liters) wash 1.25 gal (4.7 liters)
Developer Temperature	± .5F Digitally displayed
Weight with Fluids	182 lbs. (82.7kg)
Power Requirements	120 VAC, 15 Amps/240 VAC 7.5 Amps (optional)



AX 390SE

The AX 390SE is a 90-second version of the AX 300SE.

Processing time	90 seconds (leading edge transport time)
Processing Capacity	100 14x17 in (35 x 43 cm) films per hour
Water Consumption	1/2 gal (1.9 liters) per minute when processing film
Developer Temperature	± .5F Digitally displayed
Weight with Fluids	189 lbs. (82.7kg)
Power Requirements	120VAC 15 Amps/240 VAC 7.5 Amps (optional)

See Installation and Service Manual for more complete information.

(Specifications subject to change without notice)

1 Year Warranty

The Alphatek AX 300SE and AX 390SE Processors are warranted for a period of one year from the date of installation, for all parts, against defects in material and/or workmanship. Should any such defect appear during the warranty period, notify your Alphatek dealer.

This warranty is for parts only and not for labor. This warranty does not cover damage caused by accident, misuse or neglect.

This warranty is in lieu of, and supersedes all other representations, expressed or implied, by the manufacturer or any representatives.

This warranty is provided for the original purchaser and is not transferable.

This warranty is void if any service or reinstallation has been done by any person or persons who are not authorized Alphatek dealers.



2000 SOUTH 25TH AVENUE
BROADVIEW, ILLINOIS
708/ 345-0500 FAX: 708/ 345-3090

See Your Local Alphatek Dealer: